

LIVING DISTRICT

Collection: TULLY

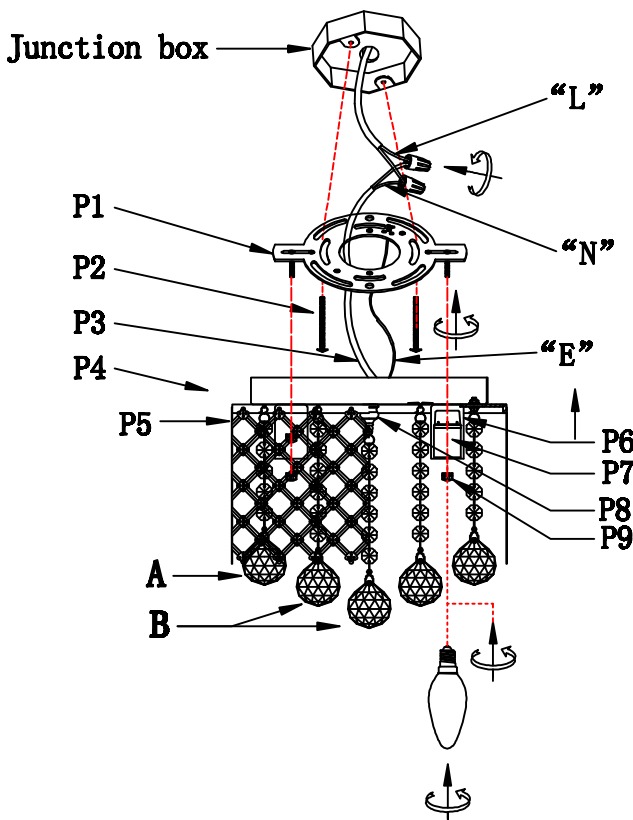
Installation manual for:

LD5010F10 D10"H9.2"L3

Installation instructions:

1. Black wire from ceiling(junction box) attaches to "L" wire from the fixture.
2. White wire from ceiling(junction box) attaches to "N" wire from the fixture.
3. "E" wire from the fixture is attached to the mounting bracket and an additional "E" wire from the mounting bracket must be secured to the junction box.
4. Secure mounting bracket to the junction box.
5. Insert screws (P2) in side of top unit the mounting bracket.
6. Use the finial (P9) to fix the canopy(P4) into the mounting bracket(P1).
7. Hang crystal string (A、 B) into canopy (P4).
8. Install the bulbs(not included) into the lamp fixture.

The end!



"L" = Hot wire
 "N" = Neutral wire
 "E" = Ground wire

PARTS LIST

part	picture	Description	Qty	Check list
P1		L7" Mounting bracket	1	
P2		5/32-32 Screw	2	
P3		Power Cord 10" 18#	1	
P4		ø8.6"H1" canopy plat	1	
P5		D10"H5.8" metal lampshade	1	
P6		D1.2"H2" metal lampcap	3	
P7		E12 lampholder	3	
P8		finial	1	
P9		finial	2	
A		Crystal	10	
B		Crystal	6	