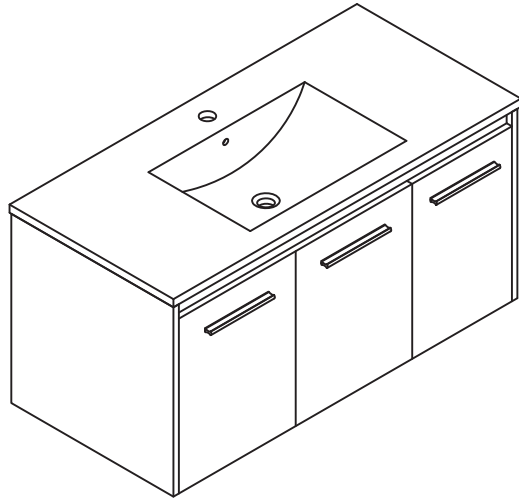




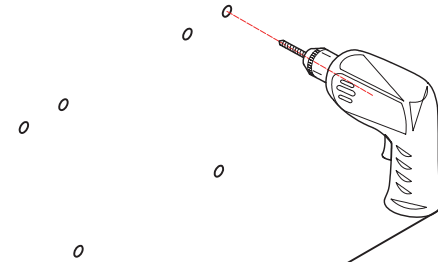
ASSEMBLY INSTRUCTIONS

VF44048WH / VF44048WB / VF44048CG



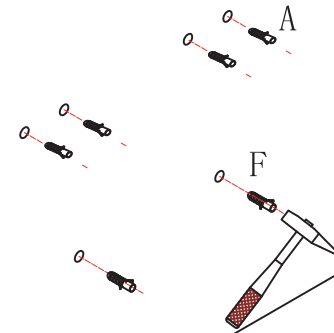
Step 1

Wall






Step 2

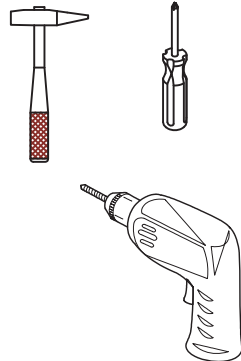
Wall






Hardware

NO.	Parts	QTY
A	 (M6*1.18")	4
B		2
C	 (T4*1.38")	4

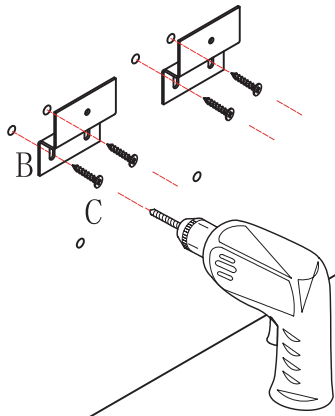
Tools



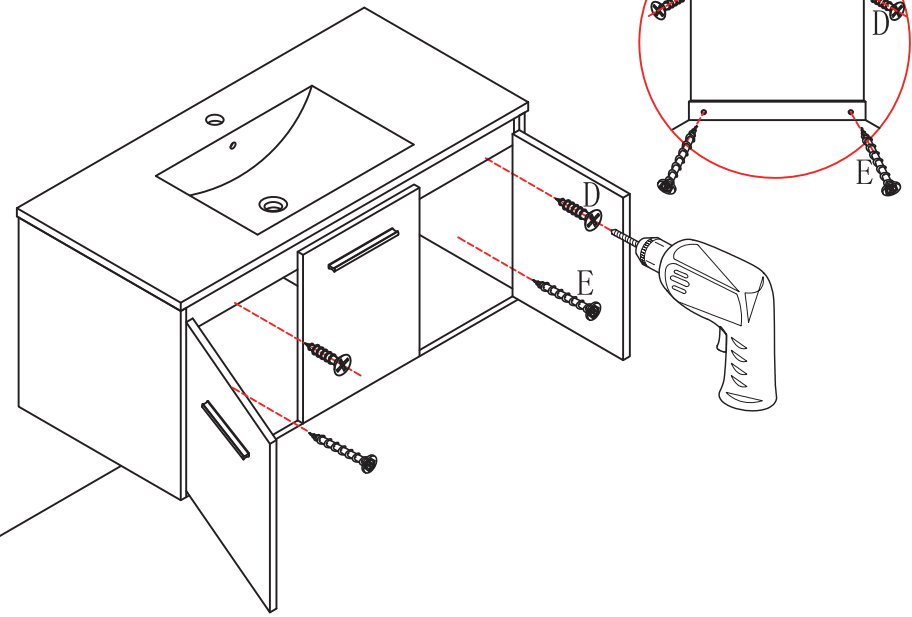
NO.	Parts	QTY
D	 (T4*0.55")	2
E	 (M6*2.36")	2
F	 (M8*1.57")	2

Step 3

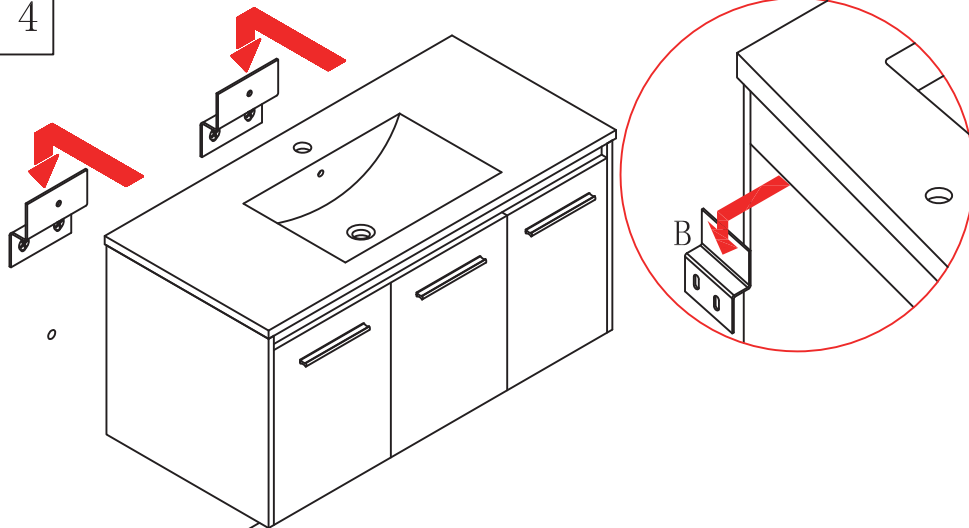
Wall



Step 5



Step 4



Finished

