

## Sink Canova 38" x 20" – U/M - 1340 660

Sinks

Code: 1340 660

AISI 304 Stainless steel  
Satin finish  
Undermount  
x cross bending for easy water draining



### DETAILS

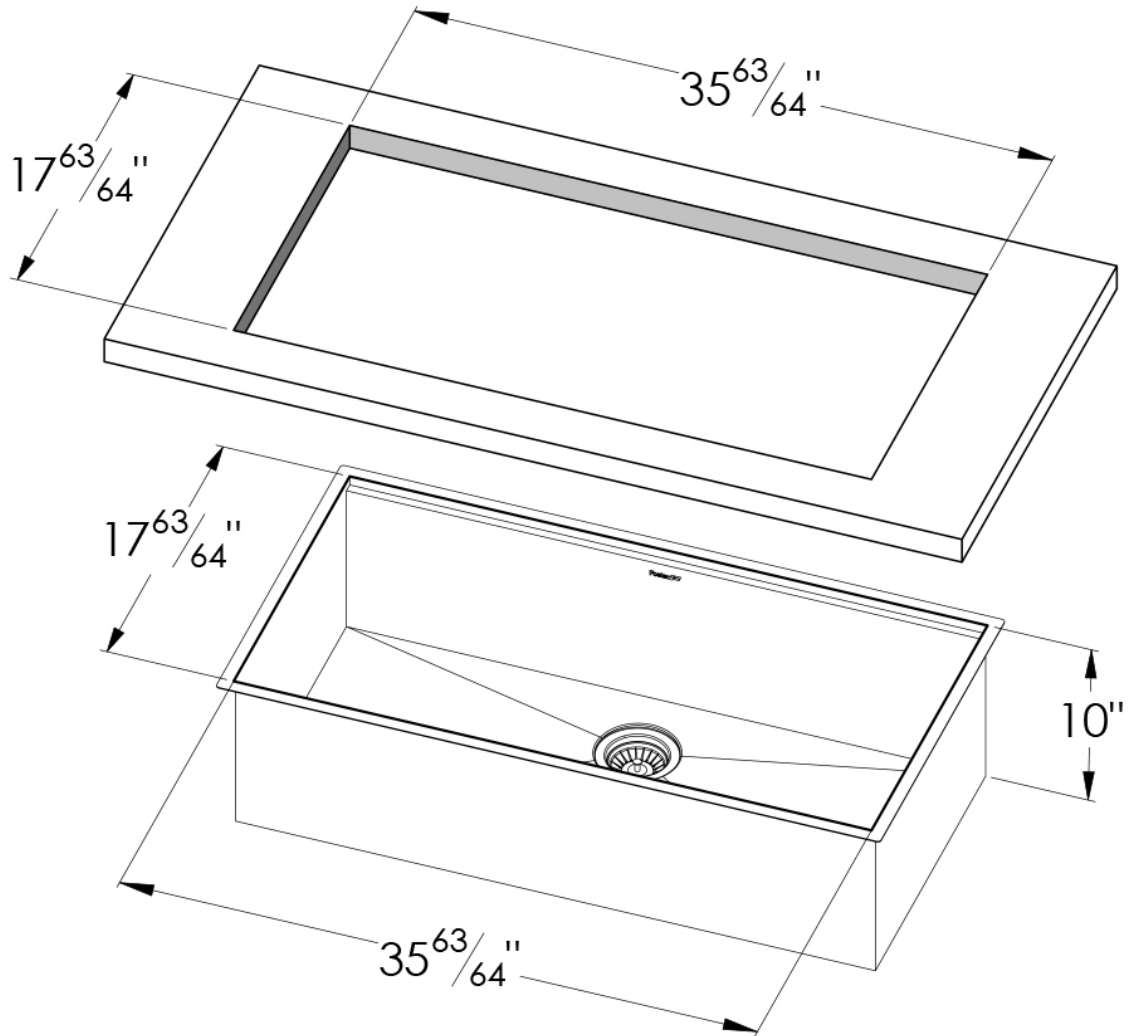
<b>Series</b>	Canova
<b>Material</b>	AISI 304 stainless steel
<b>Finish</b>	Satin finish
<b>Thickness</b>	16 Gauge (1.5 mm)
<b>Inset type</b>	Undermount
<b>Overall dimensions</b>	37 <sup>31</sup> / <sub>64</sub> " x 19 <sup>31</sup> / <sub>64</sub> "
<b>Bowls dimensions</b>	1 bowl 35 <sup>63</sup> / <sub>64</sub> " x 17 <sup>63</sup> / <sub>64</sub> "
<b>Bowls depht</b>	10 "

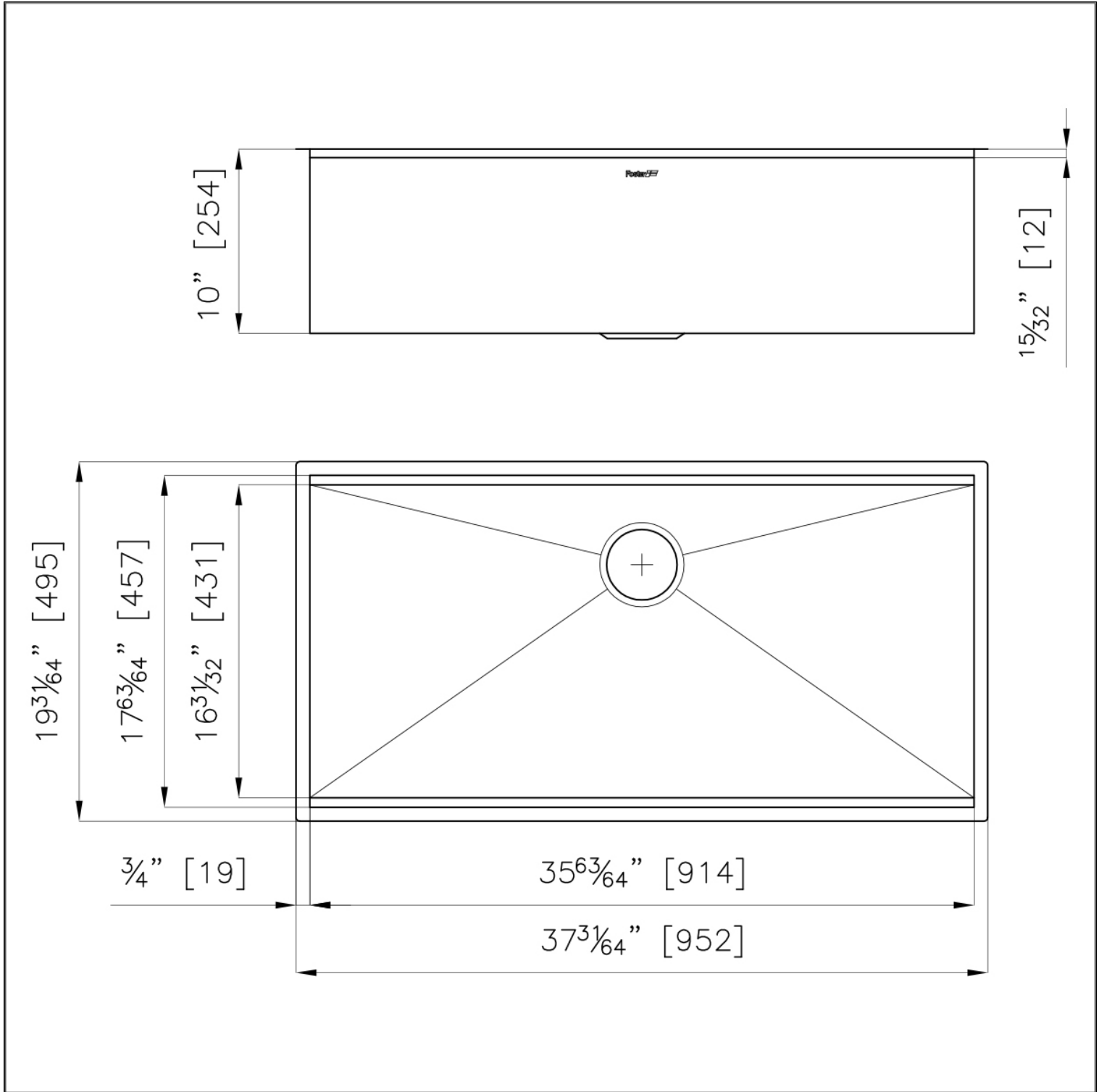
Cut out	35 <sup>63/64</sup> " x 17 <sup>63/64</sup> "
Waste fitting type	3 1/2" - with stainless steel basket
Bowls bottom	X cross bending for easy water draining
Underside	Protected with heavy duty undercoating
Fixing system	Undermount fixing kit (brass insert and clips)

## FEATURES

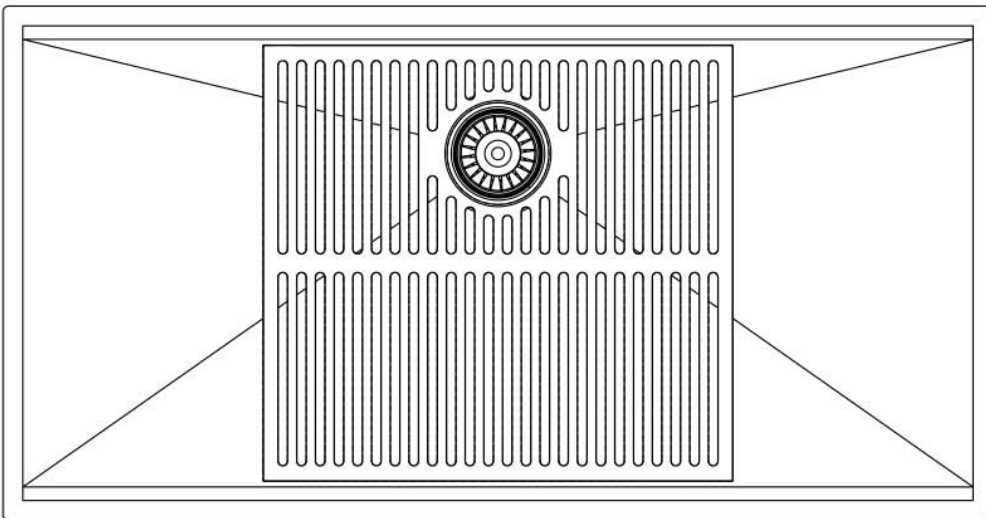
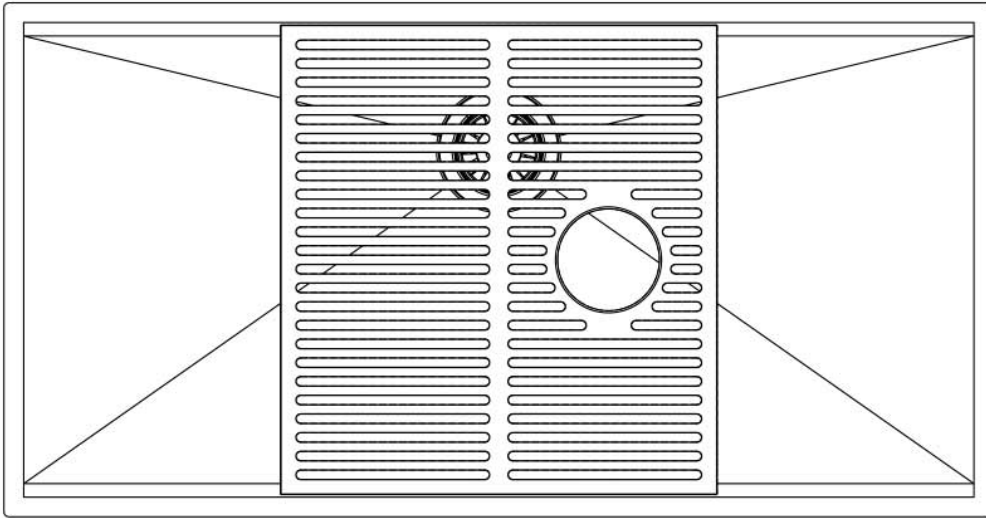
Diamond-shape bottom	The draining of water is an important feature in a sink, and it's always taken good care of in Foster products. In the bent-welded sinks, which would have a flat bottom, the proper draining is guaranteed by the elegant beveling, which helps the water flow.
Double recess	Canova...
High thickness	1.5 mm thick steel. A significant thickness, which guarantees the maximum sturdiness and durability.
Basket 3,5" waste fitting	The drain is equipped with a large 3.5" drain, with the practical basket cap that prevents the discharge of solid parts. The 3.5 "drain allows the use of the Foster waste-disposer, compatible with all models.

## TECHNICAL DATA





## Edge positioning

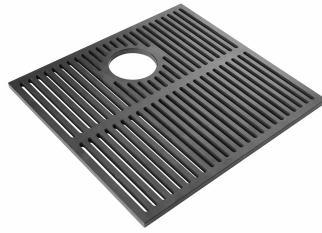


## Bottom positioning

## OPTIONAL ACCESSORIES



Bottle holder 1773 723



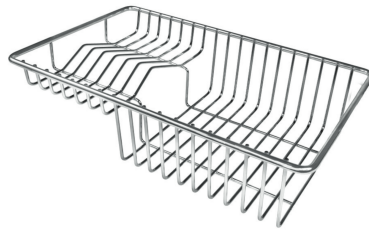
Canova Black grid 8100 605



Grating kit complete with ring support and food collection tray 8159 101



Knives-holder 8100 030



Stainless Steel dishes holder 8100 303



Stainless steel perforated pan 8151 000



Twin Chopping Board - 8644 102

### **WARNING:**

**The accessories 8159101, 8100303, 8151000 are only usable in combination with 8644101**

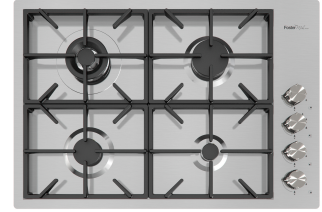
## RECOMMENDED PAIRINGS



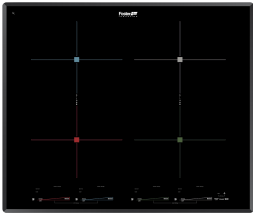
Faucet Capri | Polished finish -  
8467 005



Faucet Salina | Polished Finish -  
8487 005



Milano Cooktop 4 burners - 7637  
900



Milano Induction Cooktop 4 Plate  
- 7371 945