

STEP 6

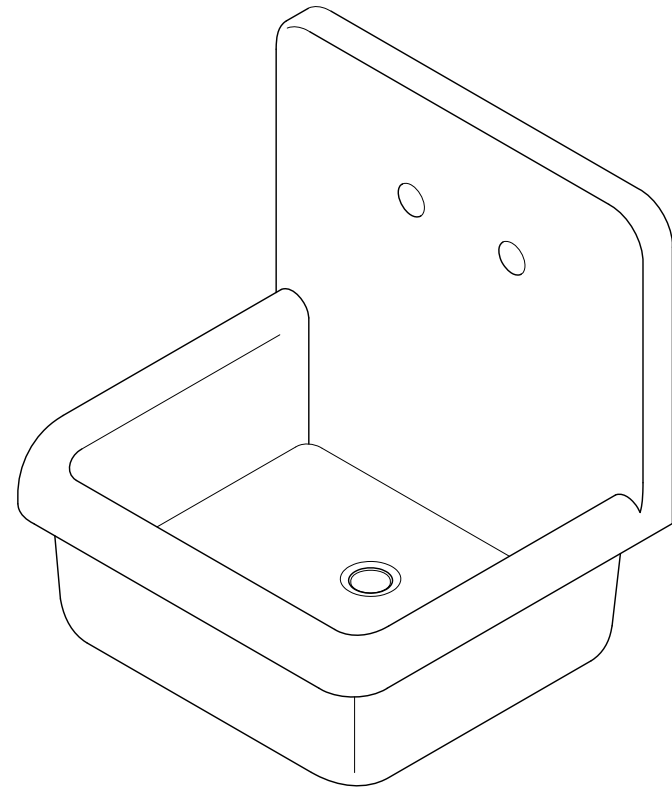
Install faucet on the sink, make sure to pre-install any supply lines behind the back of the sink.

STEP 7

Place sink at the desired location, making sure that the “Z” brackets are aligned with the wall brackets, slide down, gently test sink by lightly pulling on it to make sure that the sink is properly installed.

STEP 8

Apply a small bead of silicone based caulking, clean excess caulking.



www.kingstonbrass.com

TOLL-FREE CUSTOMER SERVICE: 1-877-2-KBRASS

TECHNICAL SUPPORT E-mail: service@kingstonbrass.com

12775 Reservoir Street, Chino, CA 91710

GOURMETIER™

KINGSTON CREATION

KINGSTON BRASS INSTALLATION INSTRUCTIONS For Use TOP-MOUNT SINK

Before installation

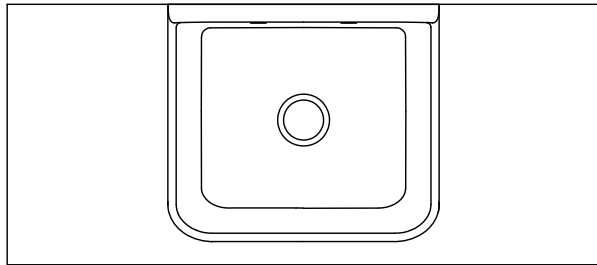
This sink is design to be install supported by a countertop, not to be install as a wall hung sink.

Do not make any alterations to your cabinet or top until you have the actual sink on hand. Determine the type of installation desired, you may install it as a drop-in or as an apron sink application.

For Drop-in Installation

Carefully measure the perimeter of the sink under the rim, as well as the distance from the bottom of the sink to below the rim.

Build a support structure using 2" x 4" lumber, being careful to allow enough space for the drain assembly to be install.

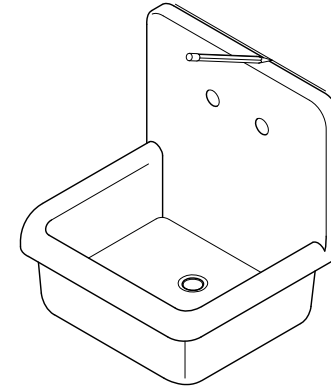
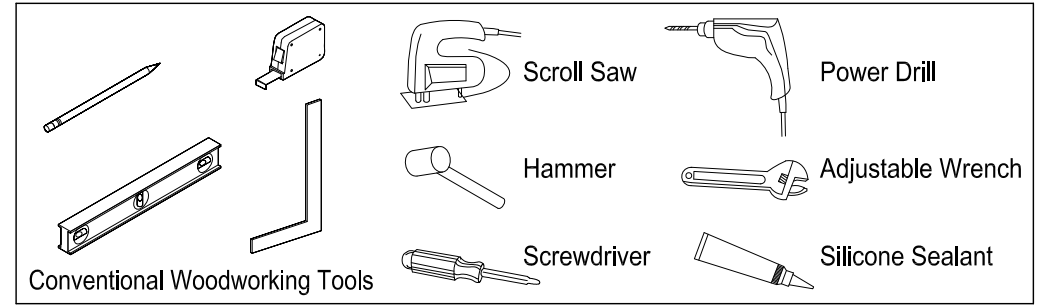


Installation Instructions

STEP 1

Place sink at the location where it will be installed, using a pencil draw a very light line at the top perimeter of the sink, as well as the bottom of the sink

Need Tools:



STEP 2

Draw a horizontal line 2-3/16" (55mm) below the top of the sink.

STEP 3

Find the wall support bracket template and alignment center line, make sure to use the appropriate distance for your type of sink.

STEP 4

Mark the location of the wall support bracket on the template, then drill holes at the marked locations, Insert anchors into the holes with a hammer until flush with the wall.

STEP 5

Screw the wall support bracket to the wall with the mounting screws and attach the wall brackets.

