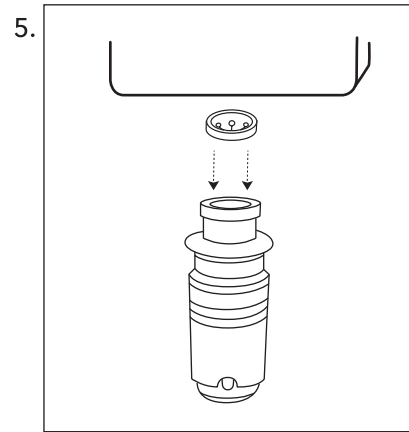


5. Place the black rubber splash guard (included with your garbage disposal) on the mouth of the garbage disposal, and attach garbage disposal to the mounting ring securely (follow manufacturer's instructions). You are now ready to use your disposal.



RUVATI®

INSTALLATION GUIDE

DISPOSAL FLANGE

RVA1041



Register your product at: www.ruvati.com/register-product

RUVATI®

Address: 2712 Meister Pl, Round Rock, TX 78664







USA Phone: 1.855.478.8284

Email: info@ruvati.com

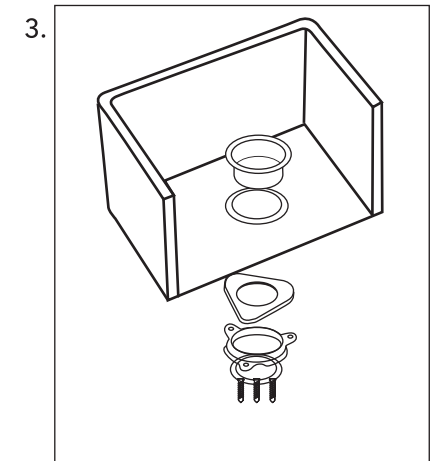
ATTENTION INSTALLER:

Read all instructions carefully before installation. Inspect the item and make sure you have all the parts shown in the parts list below.

If any part is missing or damaged, please contact Ruvati Support at 1-855-478-8284 or www.ruvati.com.

INCLUDED	NOT INCLUDED (comes with your garbage disposal unit)
<p>Stopper → </p> <p>Flange → </p>	<p> ← Triangle Ring</p> <p> ← Mounting Ring</p> <p> ← Screws</p> <p> ← Snap Ring</p>

1. Apply a rope of plumbers putty around the underside of the sink flange. Insert the flange into the drain opening of the sink.
2. Place the Triangle Support Ring (not included), and the Mounting Ring (not included) from below the sink.
3. Attach the Snap Ring (not included) on to the flange. It should snap into the lower groove near the bottom of the flange.



4. Screw in the 3 screws into the Mounting Ring. Fully tighten all 3 screws. The flange is now secured to the sink.

