

RVH8400

UNDERMOUNT BUTTERFLY SINK

RUVATI[®]
SPECIFICATION SHEET

MATERIAL

True 16 Gauge Thickness
Premium T304 Grade Stainless Steel
18/10 Chromium/Nickel Content
Commercial Brushed Finish

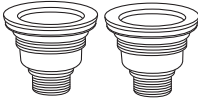


FEATURES

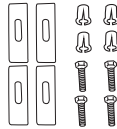
- Heavy duty sound guard padding and undercoating
- Slanted bottom with elegant drain grooves for easy draining
- Butterfly design for corner installation



IN THE BOX



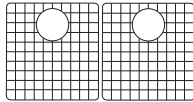
Basket Strainer
[RVA1025] x 2



Mounting Clips
[RVA11031]



Cut-out
Template



Rinse Grid
[RVA68400] x 2

NOMINAL DIMENSIONS

Exterior: 43" (wide) x 21-5/8" (front-to-back)
Interior Bowl: 14" x 15-1/2" (left), 14" x 15-1/2" (right)
Bowl Depth: 10"
Minimum Cabinet Size: 45" wide
Drain Hole Size: 3 1/2"

Installation Type:

Undermount

Inside Corners:

Rounded

Drain Location:

Rear Center

RUVATI USA

www.ruvati.com

Phone: 1.855.478.8284
Email: support@ruvati.com

OPTIONAL ACCESSORIES (SOLD SEPARATELY)

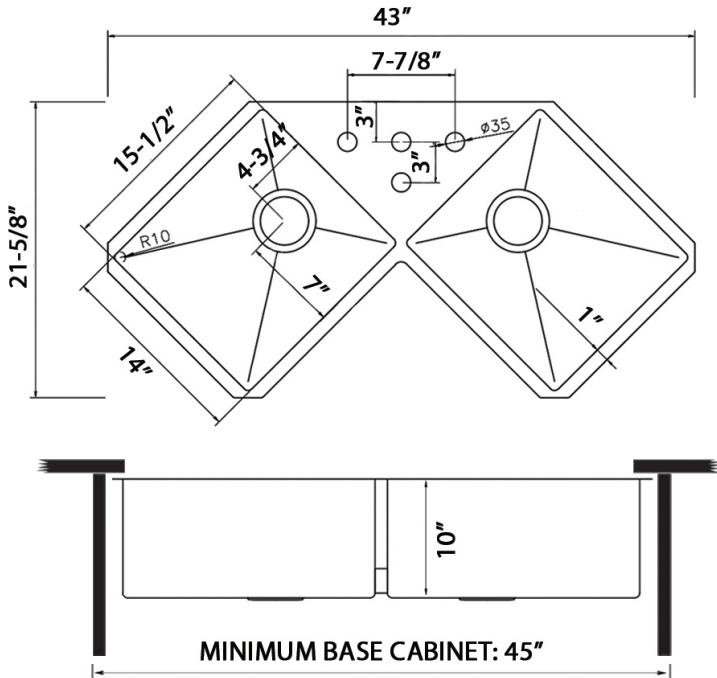


Deep Basket
Disposal Flange
[RVA1049ST]



Drain Cover
[RVA1035]

DIMENSIONS



Register your product at www.ruvati.com/register.